



PrivaSeat™

Universal Seating Privacy Solutions



PATENT PENDING

EZO
B O R D



MEET PRIVASEAT™

EZOLAYERS FINISH - EZOBORD SILVER GRAY SG04 + EZOFELT GRADE 2 MELANGE SPRUCE 2-562ML

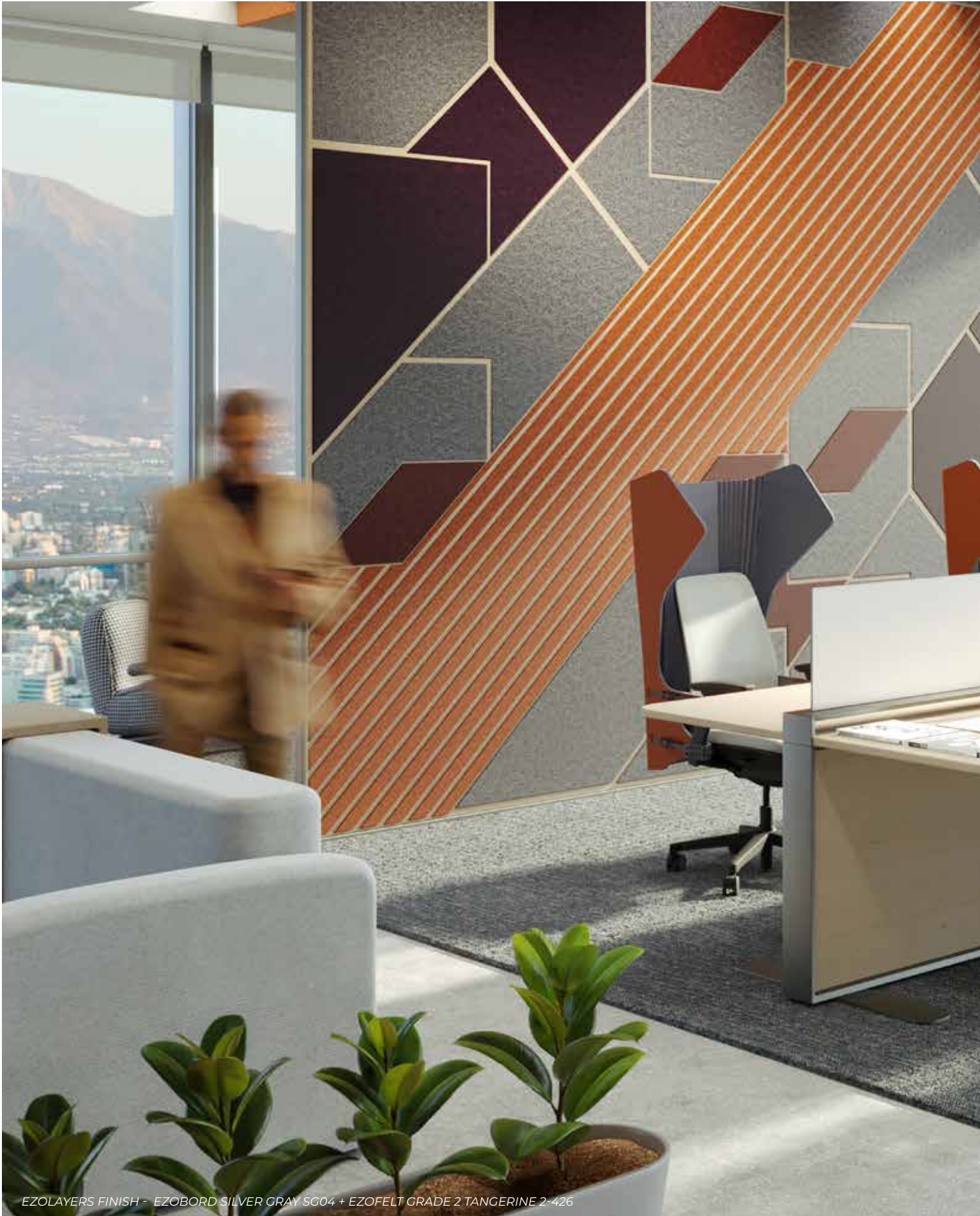


One of the greatest challenges in the office is creating collaborative, open, social workplaces, while maintaining a sense of personal space for employees. PrivaSeat™ takes personal workplace privacy to the next level. It is the only workplace accessory that shelters the user, providing actual visual and audio privacy.

PrivaSeat™ is flexible and malleable and has thoughtfully been designed to attach to almost any standard task chair without impeding functionality. Keep your favorite chair and maintain your personal space while remaining

focused on the tasks that support productive and effective work. PrivaSeat™ helps diminish noise and distractions and is comprised of high-quality sustainable material.

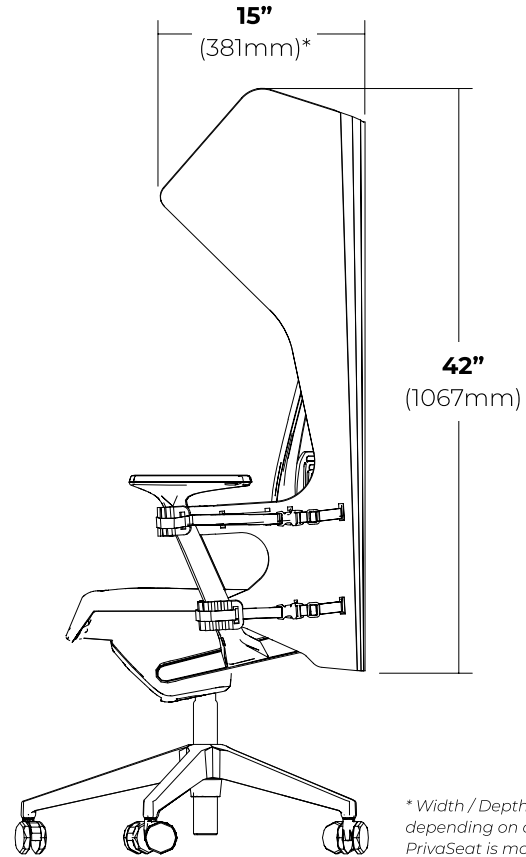
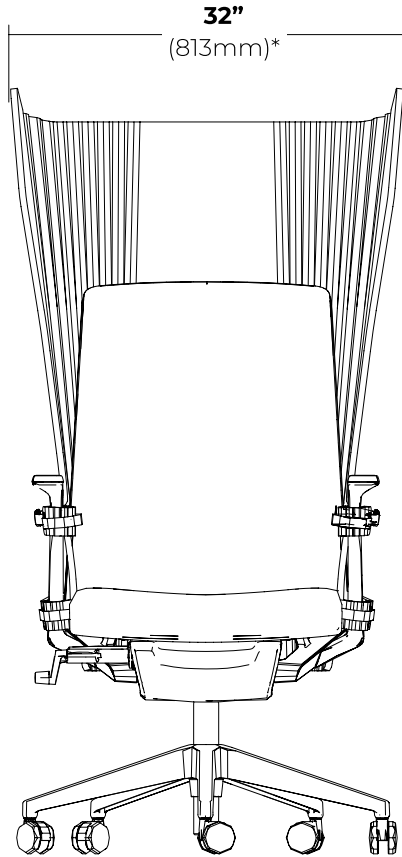
With an array of colors to choose from, PrivaSeat™ can seamlessly be applied to align with your brand palette. The solution is cost effective and easy to set-up without the need for tools or complicated assembly.



EZOLAYERS FINISH - EZOBORD SILVER GRAY SC04 + EZOFELT GRADE 2 TANGERINE 2-426



SPECIFICATIONS

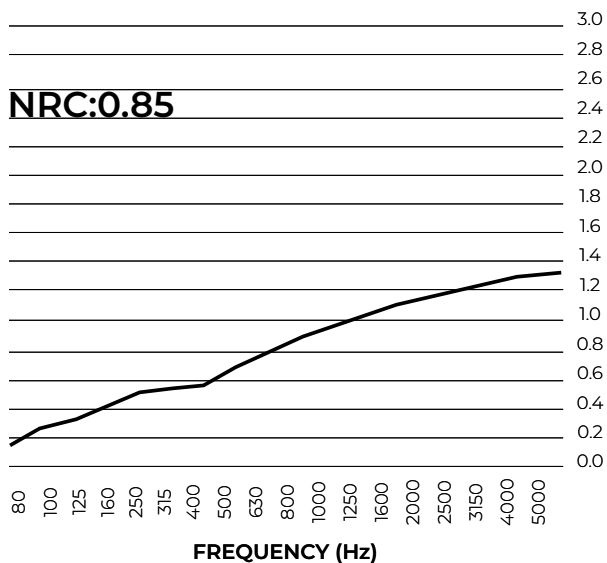


* Width / Depth may vary depending on chair model
PrivaSeat is mounted to.

SOUND ABSORPTION COEFFICIENTS

ASTM C423-17

NRC	SAA	125	250	500	1000	2000	4000
0.85	0.82	0.37	0.55	0.70	0.92	1.13	1.28



COMPOSITION

100% PET (min. 50% recycled content)

ACOUSTICS

Refer to ASTM C423 test chart for specific absorption rates/frequency.

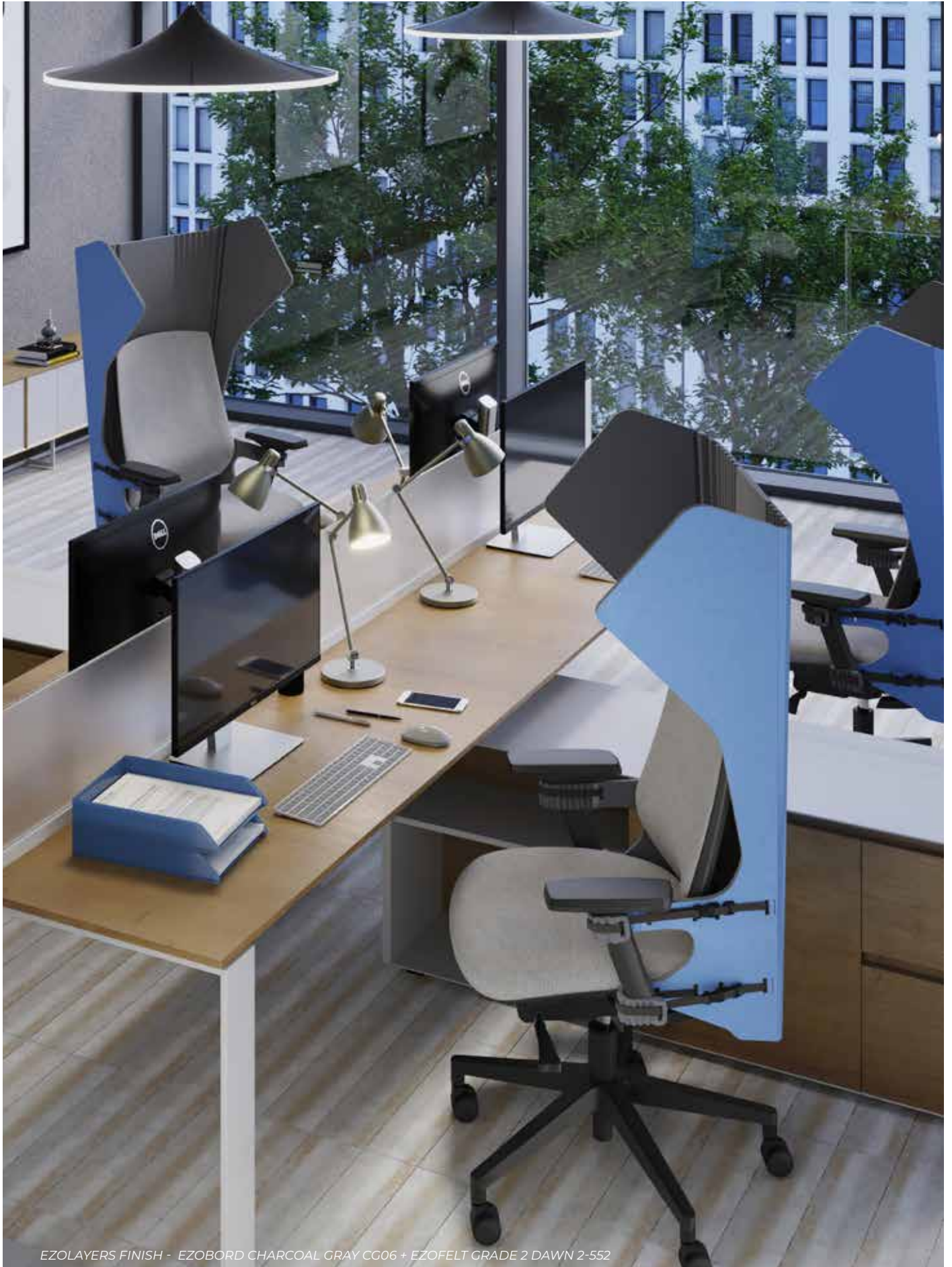
ENVIRONMENT

Made of polyester fiber, min. 50% of which comes from recycled water bottles which contributes to LEED MR Credit and BREEAM Health and Wellbeing, Materials points due to recycled content, acoustic performance, and low emitting materials. No VOC's: CDPH v1.2 and REACH SVHC Compliant.

GENERAL

Tackable, impact resistant, bacteria resistant, moisture resistant, installation friendly.

PATENT PENDING



EZOLAYERS FINISH - EZOBORD CHARCOAL GRAY CG06 + EZOFELT GRADE 2 DAWN 2-552



EZOLAYERS FINISH - EZOBORD CHARCOAL GRAY CG06 + EZOFELT GRADE 2 MAGMA 2-528



COLOR & FINISHES

EZOBORD BASE COLORS



DESERT SAND DS10



BRICK RED BR34



CHARCOAL GRAY CG06



SILVER GRAY SG04



MOSS GREEN MG10



ROYAL BLUE RB08

OPTIONAL SURFACE FINISHES*

**Outside surface only*

EZOLAYERS

EZOFELT GRADE 2



SOLAR 2-522



MAGMA 2-528



KISS 2-532



TANGERINE 2-426



ENOKI 2-513



EDELWEISS 2-565



SILK 2-530



DAWN 2-552



TECHNICA 2-584



INK 2-555



ARCTIC 2-551



PORCELAIN 2-400



SAGE 2-567



FOREST 2-448



SLATE 2-494



PURE BLACK 2-499

EZOFELT GRADE 2 MELANGE



HONEY 2-424ML



AUTUMN 2-426ML



MERLOT 2-438ML



NIGHTSHADE 2-583ML



OCEAN 2-560ML



SPRUCE 2-562ML



PISTACHIO 2-432ML



BOG 2-568ML



GREIGE 2-409ML



FLINT 2-408ML



SILVER 2-400ML



RHINO 2-494ML



CHARCOAL 2-496ML



EZOBORD BRICK RED BR34

EASY INSTALLATION

NO TOOLS REQUIRED

1

Lay PrivaSeat flat, including the straps, buckles and loop holders.



2

Adjust any lumbar support features located on the back of your task chair, to your personal comfort before attaching the PrivaSeat.

3

With two people (or one coordinated and motivated person) position the PrivaSeat centered on the back of the chair and line up the upper and lower straps to the chair arms.



Thread the straps through the inside of the arms and pull around the outside of the arms. Insert the turnbuckle, tighten the straps until the PrivaSeat sits firmly against the full frame of the chair back. Tuck in the remaining strap.

4

ENVIRONMENT

Our Commitment to the Environment

There are approximately 50 billion water bottles consumed around the world each year, and only about half of those get recycled. The rest end up in landfills, littered through our neighborhoods, or floating in our oceans.

Bottled water consumption has more than doubled since 2000; in 2015 there was the equivalent of more than 5 bottles of water consumed for every person in the USA every single week. This, of course, means that the amount of oil required to produce the energy used for the water bottling process continues to grow.

In 2007, the last year global statistics of oil consumption were available, between 32 million and 54 million barrels of oil were used to produce the bottled water that was consumed in the USA alone. This energy is used to make the bottles from PET pellets (1 million tons in the USA), treat water, bottle the water, label the bottles, and transport the bottled water. Most of the energy consumption occurs in the creation of the bottles themselves. To help in the lifecycle of this plastic product, we have chosen to manufacture our material so that it recycles these PET bottles. We are doing our part to reduce the waste. This acoustical and tackable material is made from PET bottles in a zero-waste process with postindustrial recycling. An environmentally friendly, sustainable, and waste reduced alternative to traditional acoustical/tackable material that looks great in any office, education, or open space installation.

EzoBord is



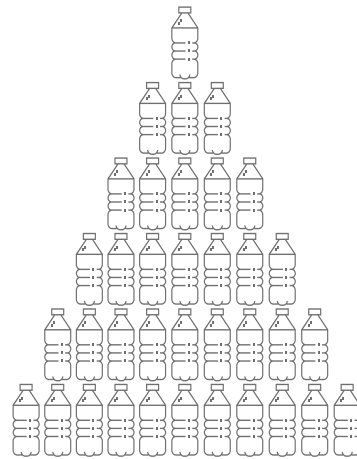
- low VOC
- formaldehyde free

DID YOU KNOW...



For every pound of recycled PET bottles (approximately 23) energy use is reduced by 84% and greenhouse gas emissions are reduced by 71%.

PET BOTTLES



± 166 pet bottles are used to make one $\frac{3}{8}$ " 9mm thick EzoBord sheet.

± 318 pet bottles are used to make one $\frac{1}{2}$ " 12mm thick EzoBord sheet.



EZOLAYERS FINISH - EZOBORD SILVER GRAY SC04 + EZOFELT GRADE 2 MELANGE SPRUCE 2-562ML



DESIGN
DRIVEN
ACOUSTICS

CANADA

Ayrsonics Inc - Ontario

825 Trillium Drive
Kitchener, Ontario N2R 1J9
844-441-1122
sales@ayrsonics.com

Ayrsonics Inc - Alberta

292236 Nose Creek Boulevard
Building 1B, Unit #19
Rocky View County, AB T4A 3N7
844-441-1122
sales@ayrsonics.com

EzoBord Corporate Office

6845 Rexwood Road, Unit 7
Mississauga, ON L4V 1S5
416-665-3571
info@ezobord.com

UNITED STATES

Ayrsonics Midwest LLC

820 Tollgate Road
Elgin, IL 60123
800-517-0686
sales.amw@ayrsonicsusa.com

Ayrsonics Southwest LLC

8934 Eton Ave
Canoga Park, CA 91304
213-833-9700
sales.asw@ayrsonicsusa.com

Ayrsonics Southeast LLC

15 Enterprise Way
Dahlonega, GA 30533
706-539-4711
sales.ase@ayrsonicsusa.com

UNITED KINGDOM

EzoBord UK Limited

Unit 20, Westwood Business Park
Margate, Kent. CT9 4JJ
+44 1843-264027
sales@ezobord.co.uk

IRELAND

EzoBord Ireland Limited

Inniscarra, Main Street,
Rathcoole, Co. Dublin,
D24 EO29, Ireland
+353 1485-4774
sales@ezobord.ie

CENTRAL & LATIN AMERICA

EzoBord Costa Rica SRL

100 Sur 25 Oeste Recope
Bodega #16 Ochomogo, Cartago
+506 8842-4613
info-ebcr@ezobord.com

EzoBord - LATAM

Buenos Aires, Argentina
+54 9 11 5657-1793
info-latam@ezobord.com

FOLLOW US    